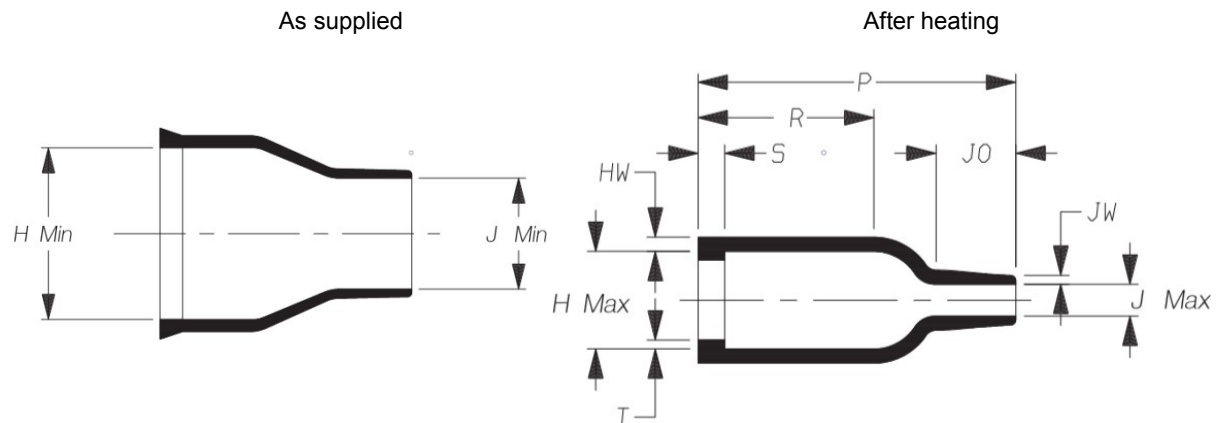


Micro Moulded Parts, 203W301-25-G02-0 (straight, lipped)

These micro moulded parts or heat shrink boots from TE Connectivity (Raychem / Tyco) are used for mechanical protection and cable strain relief. Produced in a variety of shapes and materials, the range of Raychem branded moulded shapes are supplied in an expanded form. On the application of heat, they shrink to a pre-determined size and shape, providing a tough, protective covering for the components over which they are installed. These moulded parts are with or without coating available.



Dimensions in mm

| Part Number | Inside diameter (coating reduces Ø max. 1.5mm) | | | | P | R | S | T | J0 | HW | JW |
|------------------|------------------------------------------------|-----|---------------|-----|----|----|-----|-----|-----|-----|-----|
| | As supplied | | After heating | | | | | | | | |
| | H | J | H | J | | | | | | | |
| 203W301-25-G02-0 | 10 | 6.0 | 5.8 | 2.2 | 19 | 11 | 1.5 | 0.5 | 4.5 | 0.8 | 0.5 |

Material (not all combinations available)

| Ordering Code | Material | Operating temperature range |
|---------------|----------------------------|-----------------------------|
| -3 | Polyolefin, semi-rigid | -55°C to +135°C |
| -4 | Polyolefin, flexible | -55°C to +135°C |
| -12 | Fluoroelastomer, flexible | -55°C to +200°C |
| -25 | Elastomer, fluid resistant | -75°C to +150°C |
| -100 | Polyolefin, halogen free | -30°C to +105°C |

Coating, Adhesive

| Ordering code | Material | Operating temperature range |
|---------------|----------------------------|-----------------------------|
| /42 | Polyamide, hot-melt | -20°C to +60°C |
| /86 | High performance, hot-melt | -55°C to +120°C |
| /225 | Epoxy/Polyamide | -75°C to +150°C |

Colour

| Ordering Code | Colour |
|---------------|--------|
| -0 | Black |